



IMPORTANT

1. READ ALL THESE INSTRUCTIONS & WARNINGS FULLY BEFORE COMMENCING INSTALLATION.
2. INSTALLATIONS AND WIRING MUST CONFORM TO CURRENT IEE REGULATIONS (UK), LOCAL OR APPROPRIATE REGULATIONS (OTHER COUNTRIES). IT IS THE INSTALLER'S RESPONSIBILITY TO ENSURE THAT THE APPROPRIATE BUILDING CODES OF PRACTICE ARE ADHERED TO.
3. A QUALIFIED ELECTRICIAN MUST SUPERVISE ALL INSTALLATIONS.
4. THESE APPLIANCES ARE INTENDED FOR CONNECTION TO FIXED WIRING
5. CHECK THAT THE ELECTRICAL RATING SHOWN ON THE FAN MATCHES THE MAINS SUPPLY.
6. **WARNING: THESE APPLIANCES MUST BE EARTHED.**
7. SITE AWAY FROM DIRECT SOURCES OF HEAT (I.E.: GAS COOKERS OR EYE-LEVEL GRILLS) AND NOT WHERE AMBIENT TEMPERATURES ARE LIKELY TO EXCEED 50°C.
8. WHEN THE FAN IS INSTALLED IN A ROOM CONTAINING A FUEL BURNING APPLIANCE, PRECAUTIONS MUST BE TAKEN TO AVOID THE BACKFLOW OF GASES INTO THE ROOM FROM THE OPEN FLUE OF THE FUEL BURNING APPLIANCE.
9. ENSURE THAT ALL RELEVANT SAFETY PRECAUTIONS (CORRECT EYE PROTECTION AND PROTECTIVE CLOTHING ETC) ARE TAKEN WHEN INSTALLING AND MAINTAINING THIS FAN.
10. GENERAL GUIDANCE FOR SITING THE FAN SEE "FIG. G". ALWAYS SITE FAN AS HIGH AS POSSIBLE
11. IF ANY SECTION OF THE DUCTWORK IS POSITIONED HIGHER THAN THE FAN A CONDENSATION TRAP (XCT100) MUST BE FITTED AS CLOSE AS POSSIBLE TO THE FAN.

For speed and ease of Installation, your installation may require some of the Ancillaries indicated in "Ancillary Options".

If installing on a wall (surface mounting)

1. Mark on the wall the centre of the duct hole **A**.
2. Use this centre to cut an opening through the wall 117mm dia, with a slight fall to the exterior.
3. Fit the wall duct (WD100), not supplied, and mortar into place.

If installing on a wall (flush mounting)

1. Mark on the wall the centre of the duct hole **A**, and drill a pilot hole through both walls at a slight downward angle.
2. Use the centre to mark a rectangular hole for the inner wall using the dimensions **A**.
3. Cut the rectangular hole through the inner wall.
4. Go outside and cut a 117mm-diameter hole in the outer wall using the small hole as the centre.
5. Measure the wall thickness.
Cut the wall duct (WD100), not supplied, so that it is 64mm less than the wall thickness.

If installing in a ceiling (surface mounting)

This method requires a space above the ceiling, such as a loft or attic, to provide access for 100mm internal diameter ducting.

1. Mark on the ceiling the centre of the duct hole **A**, avoiding ceiling joists and buried cables etc.
2. Cut a 117mm-diameter hole using the marked centre.

If installing in a ceiling (flush mounting)

For 100mm diameter ducting:

1. Mark a rectangular hole using the dimensions **B**.
2. Cut the hole, avoiding ceiling joists and buried cables etc.

For flat ducting:

- * This fan can be installed within a 47mm void without the circular spigot **7** (Fig. **E**). Flat ducting adapter (FDA) available.

Preparing the fan for installation

1. Remove the front cover **2** (Fig. **C**).
2. Fit the foam tape **8** supplied around the circular spigot **7** (Fig. **E**).
3. Remove the electrical cover **5** (Fig. **E**). The impeller can be removed to ease access (if required), using a 2mm AVF allen key.

Setting the condensation speed

CF20 / CF20T Only (Fig. **D**);

4. The correct condensation control speed should be selected to suit the room size in which the fan is to be installed. Slide the switch **X** to the required position. Please note that the fan is factory set to "Position 2".

Switch Position	Size / Room Volume (m ³)
1	Large (34 and above)
2	Medium (28 - 34)
3	Small (less than 28)

Setting the trickle speed

CF20 / CF20T Only (Fig. **D**)

6. The fan can be set so that it provides constant trickle extraction. Slide the switch **Y** to the required position. Please note that the fan is factory set to "Position 0".
7. Switch Position Setting
0 Trickle extraction OFF
1 Trickle extraction ON

Setting the time delay start

DX200T / CF20T Only (Fig. **D**)

8. The fan can be set so that there is a 2-minute delayed start to its operation when used with an external on/off switch. Slide the switch **Z** to the required position. Please note that the fan is factory set to "Position 0".
- Switch Position Setting
0 Time delay start OFF
1 Time delay start ON

Mounting the fan on a wall or ceiling (surface mounting)

1. Place the ducting into the hole and align to the required position. If wall mounting, ensure that the ducting slopes down and away from the fan.
2. Mark the positions of the three fixing holes **A** in Fan box **6** (Fig. **E**).
3. If wall mounting, drill three holes 5.5mm diameter for wall plugs (supplied). If ceiling mounting **B**, use appropriate fasteners (not supplied).
4. Cut out the cable inlet hole, if required, in the surround **10** and slit the cable grommet. Slide the surround **10** over the fan box **6**.
5. Pass the electrical cables into the fan box **6** through the rear cable inlet hole and surround, and re-fit the cable grommet.
Ensure that cable grommet is in place and a tight fit.
6. Offer the fan box **6** up to the wall or ceiling. Ensure the circular spigot **7** enters the ducting.
7. Fix the fan box **6** to the wall using screws **9** or to the ceiling using appropriate fasteners (not supplied).

If mounting in a wall (flush mounting)

The surround **10** is not required. Fit the ducting to the circular spigot **7**.

If the hole size is as recommended:

1. Assemble the three fan body clamps **3** to the fan box **6** using screws **4**.
2. Slit the cable grommet. Pass the electrical cables into the fan box **6** through the cable inlet hole and cable grommet.
Ensure cable grommet is in place and a tight fit.
3. Offer the fan box **6** up to the wall.
4. Tighten up the three screws **4** until the fan is clamped to the inner wall. The fan body clamps **3** will rotate to an automatic stop position. **DO NOT OVERTIGHTEN.**

If the hole size is larger than recommended i.e.: larger than the flange on the fan box 6 (Mostly relating to "retro-fit" installations):

1. The fan body clamps ARE NOT suitable. Construct a wooden frame of INTERNAL dimensions 203 x 233mm. Depth should be at least 50mm. Fit the

wooden frame into the internal wall and make good the hole.

2. Offer the fan box **6** up to the wall.
3. Screw the fan box **6** to the wooden frame using the slots in the flange (screws not supplied).

If mounting in a ceiling (flush mounting)

1. The surround **10** is not required.
2. Insert the fan box **6** into the hole and mark four positions using the slots in the flange **3**.
3. Remove the fan box **6** from ceiling and fit the four ceiling clips (supplied) over the edge of the hole, so that the clips align with the marks on the ceiling **B**.
4. Drill 4 pilot holes into the ceiling through the hole of each clip, ensuring not to damage the clip.
5. Fit the ducting to the circular spigot **7**.
6. Offer the fan box **6** up to the ceiling.
7. Slit the cable grommet. Pass the electrical cable into the fan box **6** through the front cable inlet hole.
Ensure cable grommet is in place and a tight fit.
8. Using the screws **11** (Fig. **B**), fix the fan box flange to the ceiling clips.

Terminating the ducting

Fit an outer grille (such as CFWG100, not supplied) to the outer wall. For ceiling mounting, use appropriate ancillaries (not supplied).

Wire the electrical connections

WARNING! THIS APPLIANCE MUST BE EARTHED

1. Isolate the electricity supply and remove all fuses.
The terminal block will accept cable up to 2.5mm²
2. Use a double-pole isolating switch with a minimum contact gap of 3mm in both poles.
3. Use suitably rated 3-core or 4-core cable dependant on application.
4. Remove the retaining screws of the terminal cover, if still in position.
5. Wire the fan as shown in **F** using the cable clamp provided. Check fan model to diagram.
DX200/DX200T ; "LH" = Live (High Speed) / "LL" = Live (Low Speed)
6. Replace the terminal cover **9** and fasten the retaining screws.
7. See section on "User adjustments" if you wish to use settings other than those that have been factory set.
8. Refit the front cover (Fig. **C**).
Connect the cable from the isolating switch to electrical supply wiring, and re-check installation.
10. Refit fuses before turning on electricity supply.
11. For fixed wiring circuits, the protective fuse for the appliance must not exceed 5A.

For Australia Only

CF20 - Connection to the supply - flexible 3-core cable with 3 pin plug top for insertion into an approved 10A wall mounted surface switch with at least 3mm clearance between contacts.

ALL OTHERS - Permanently connected to the supply and a remote switch controls operation. They should be directly wired to the supply through an approved 10A wall mounted surface switch with at least 3mm clearance between contacts.

User adjustments

Before making any adjustments, isolate the fan completely from the mains supply, check specification below to see which features apply to your fan.

1. Remove the front cover and replace after adjustment (Fig. **C**).

DX200

There are no user adjustments for this fan.

DX200T

1. The timer over-run period can be adjusted between approximately 30 seconds and 20 minutes. Use an electrician's screwdriver and turn screw "T" (Fig. **D**), clockwise to increase time, anti-clockwise to decrease. (Factory preset to approximately 10 minutes)

CF20

1. The humidity setting is adjustable between approximately 50% and 90% relative humidity. Use an electrician's screwdriver, and turn screw "RH" (Fig. **D**), clockwise to increase the relative humidity setting and anti-clockwise to decrease. (Note: the fan is more sensitive at 50% RH than at 90% and is factory preset to approximately 70%).

CF20T

1. The timer over-run period can be adjusted between approximately 30 seconds and 20 minutes. Use an electrician's screwdriver and turn screw "T" (Fig. **D**), clockwise to increase time, anti-clockwise to decrease.
2. The humidity setting is adjustable between approximately 50% and 90% relative humidity. Use an electrician's screwdriver, and turn screw "RH" (Fig. **D**), clockwise to increase the relative humidity setting and anti-clockwise to decrease. (Note: the fan is more sensitive at 50% RH than at 90%).

Using the fan

DX200

Operate the fan using the external on/off switch. Repeat to switch off. The fan speed is pre-set by the installer to either high or low speed. (If a change over switch has been installed then the user can switch between high speed and low speed.)

DX200T

Operate the fan using the external on/off switch. Repeat to switch off. When the switch is turned off, the fan continues to operate for the selected over-run timer period. Top "Light" is lit when the external on/off switch is switched on. The fan speed is pre-set by the installer to either high or low speed. (If a change over switch has been installed then the user can switch between high speed and low speed.)

Time delay start feature on or off

This is set by the installer to provide a 2-minute time delay start when the fan is switched on using the external on/off switch.

CF20 / CF20T

Switched Operation

The fan can be wired with a separate on/off switch. Fan operates at condensation speed when switched on. Top "Light" is lit when the separate on/off switch is switched on. When switched off, the fan will continue to operate if the humidity level exceeds the set level. *CF20T only*: When switched off, the fan continues to operate at condensation speed for the adjustable timer over-run period.

Condensation Operation

The fan operates at condensation control speed, when the relative humidity exceeds the set level, and turns off when the humidity drops.

Boost Operation

The integral pull cord switch switches the fan to run at high speed. Bottom "Light" is lit when the fan is operating at high speed.
Note: If the separate on/off switch and integral pull cord are both on, then Lights "I" and "II" will both be lit and the fan will run at high speed.

CF20T only

Time delay start feature on or off

This is set by the installer to provide a 2-minute time delay start when the fan is switched on using a separate on/off switch.

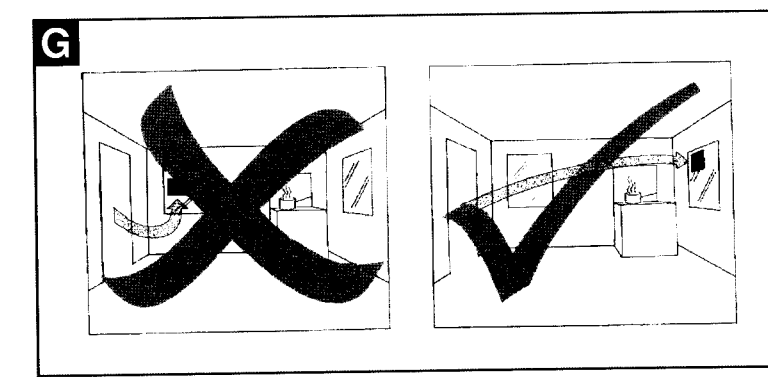
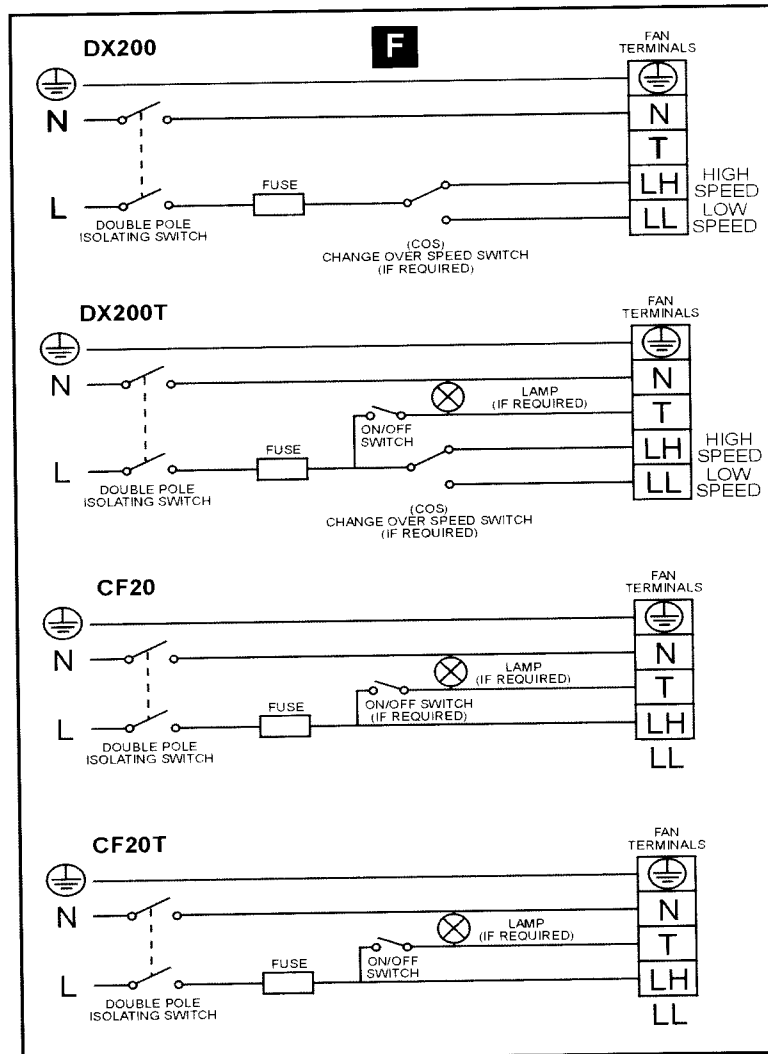
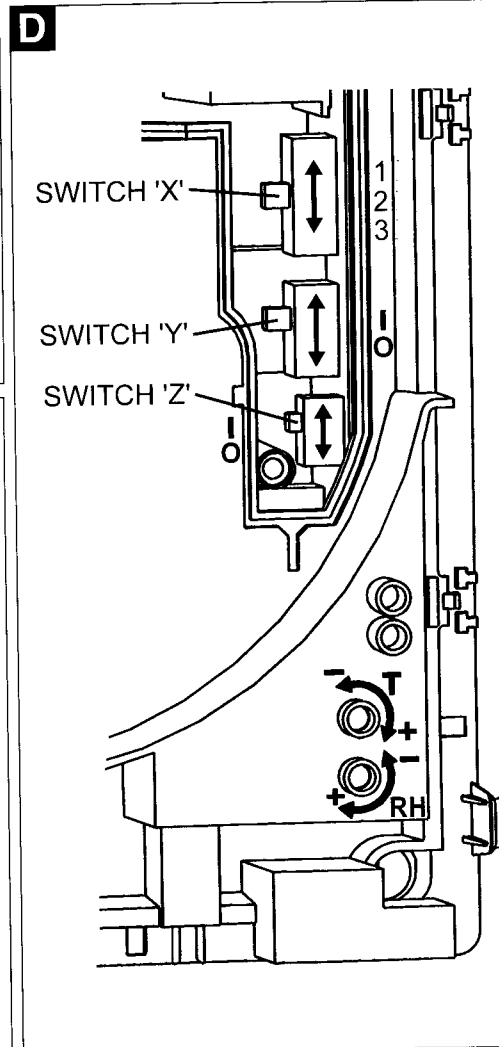
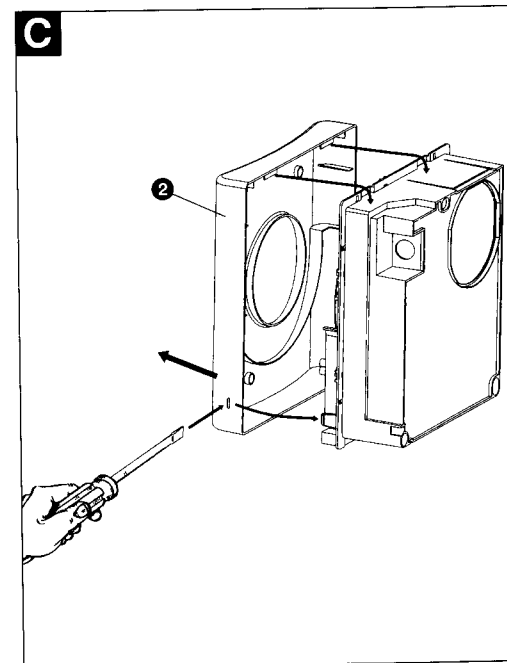
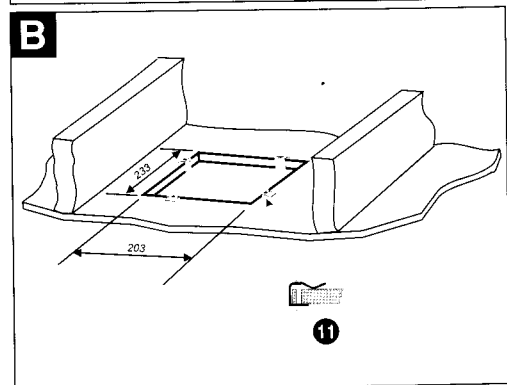
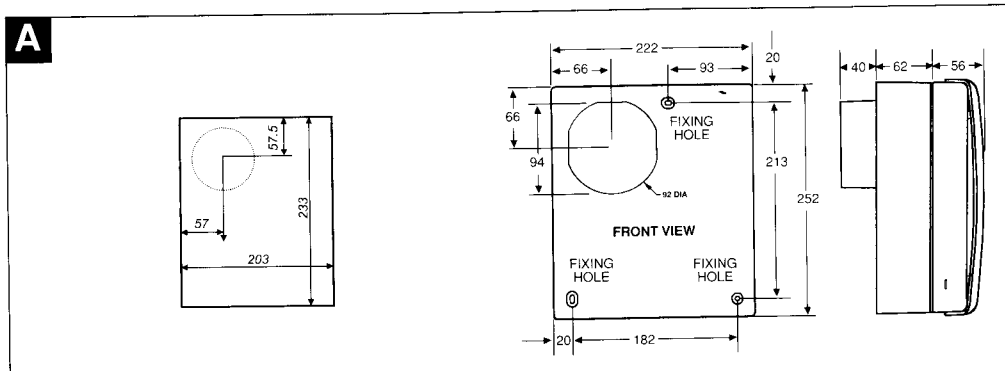
Cleaning

Before cleaning, isolate the fan completely from the mains supply
Only clean the external surface of the fan, using a damp lint free cloth. Do not use strong detergents, solvents or chemical cleaners
Allow fan to dry thoroughly before use.
Apart from cleaning, no other maintenance is required

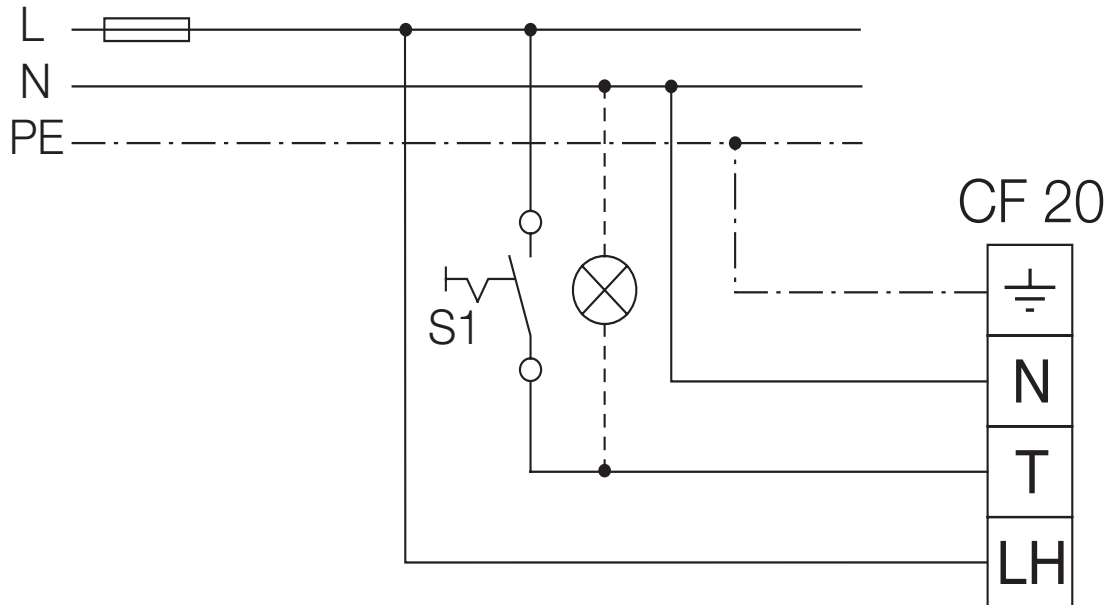
Key See Diagram **E**

- | | |
|-------------------|--|
| 1. Baffle Plate | 7. Circular Spigot |
| 2. Front Cover | 8. Clamp screws and wall plugs - 3 off |
| 3. Impeller | 9. Fan Body Clamps - 3 off |
| 4. Fixing Screws | 10. Surround |
| 5. Terminal Cover | 11. Ceiling Screws 25mm long 4 off (Diagram B) |
| 6. Fan Box | 12. Foam Tape |

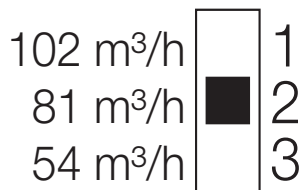
PLEASE LEAVE THIS LEAFLET WITH THE FAN FOR THE BENEFIT OF THE USER



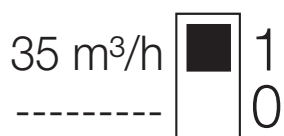
■ SS-695.1 CF 20 Schaltschema / Wiring diagram / Schémas de branchement



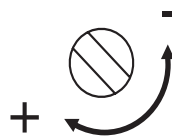
Feuchteautomatik oder
 manuell mit Schalter S1
 automatic humidity or manuell with switch S1
 contrôleur d' humidité ou manuell avec
 commutateur S1



Dauerbetrieb Grundlüftung
 operation permanent basic ventilation
 fonctionnement à permanent aération de base

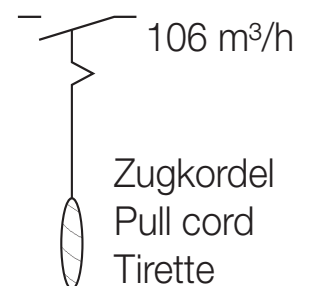


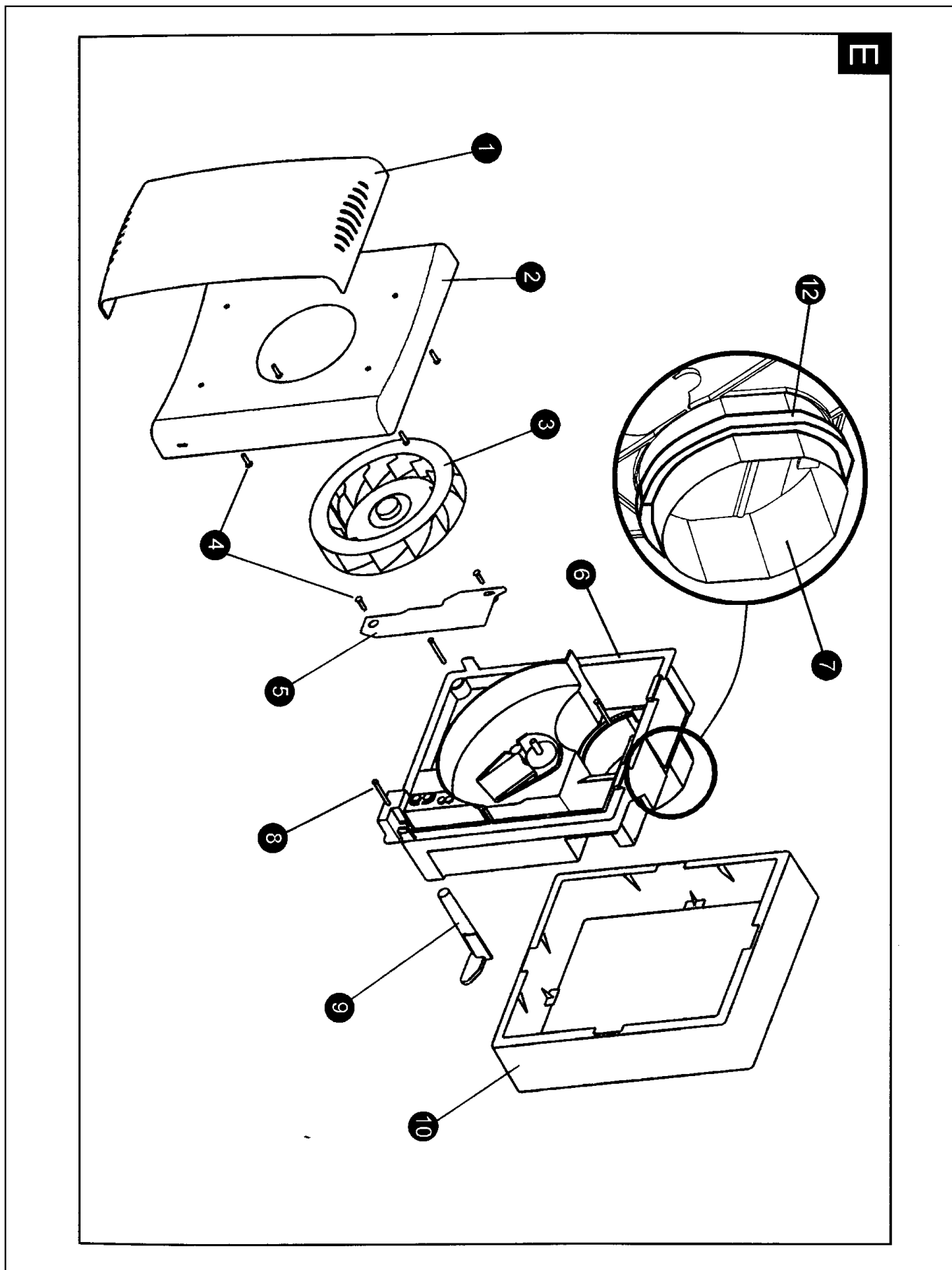
Einstellung Feuchte
 setting humidity
 positionnement humidité



r.F. = 50 bis 90 %
 RH = 50 to 90 %
 HR = 50 à 90 %

volle Drehzahl
 full speed
 nombre de tours plein





Service und Information

D HELIOS Ventilatoren GmbH & Co · Lupfenstraße 8 · 78056 VS-Schwenningen
CH HELIOS Ventilatoren AG · Steinackerstraße 36 · 8902 Urdorf / Zürich
A HELIOS Ventilatoren · Postfach 854 · Siemensstraße 15 · 6023 Innsbruck

F HELIOS Ventilateurs · Z.I. La Fosse à la Barbière · 2, rue Louis Saillant · 93605 Aulnay sous Bois Cedex
GB HELIOS Ventilation Systems Ltd. · 5 Crown Gate · Wyncolls Road · Severalls Industrial Park · Colchester · Essex · CO4 9HZ